

# sunlite®

## INSTALLATION INSTRUCTIONS



LED CUBE OUTDOOR FIXTURE | 81293-SU LFX/CUBE/S/9W/30K/ORB 81296-SU LFX/CUBE/S/9W/30K/BK 81297-SU LFX/CUBE/S/9W/50K/BK  
81298-SU LFX/CUBE/UD/18W/30K/BK 81299-SU LFX/CUBE/UD/18W/30K/BK

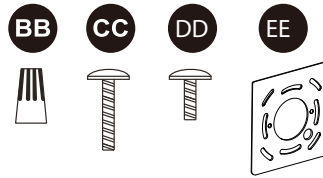
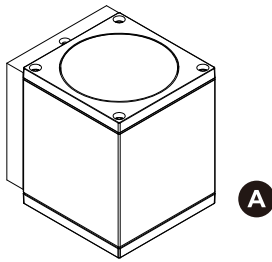
**Please read and understand this entire manual before attempting to assemble, operate or install the product.**

**WARNINGS & CAUTIONS:** Risk of fire or electric shock, avoid fire or electric shock. Turn off the power at fuse or circuit breaker box before installation and maintenance to avoid electric shock. Before installation thoroughly review enclosed installation manual. Use only on 120 Volt fused circuits. This product must be installed in accordance with the applicable installation code by a person familiar with the construction and operation of the product and the hazards involved. If you do not have sufficient electrical wiring experience, please consult a qualified electrician. Consult a qualified electrician to ensure correct branch circuit conductor. Do not make or alter any open holes in an enclosure of wiring or electrical components during installation. If the product is damaged, do not attempt installation and do not use. Not for emergency lighting. Operating temperature -20°C - 45°C (-4°F - 113°F). Suitable for wet locations.



**AVERTISSEMENT –** Risque d'incendie ou de choc électrique. Ce produit doit être installé selon le code d'installation pertinent, par une personne qui connaît bien le produit et son fonctionnement ainsi que les risques inhérents. Consulter un électricien qualifié pour vous assurer que les conducteurs de la dérivation sont adéquats. Convient aux emplacements humides. Peut être utilisé à une température ambiante n'excédant pas 45°C. Les fils d'alimentation 90°C min. Cet appareil n'est pas destiné à être utilisé dans les issues de secours.

Retain these instructions for future reference.



Part	Item Name
A	LED CUBE WALL SCONCE
BB	Wire Nuts
CC	4X30MM Screws
DD	Screws
EE	Sheet plate (for 4" J-box)

### PRE-INSTALLATION:

1. Turn power OFF from the electrical panel before starting installation.
2. Carefully remove the fixture from the carton, and check that all parts are included, as shown in figure.
3. Select suitable location that can support the weight of the fixture.

## Installation

### Assembly Instructions

#### Step 1 – Preparing for installation.

- A. Disconnect electrical power at fuse or circuit breaker box before installing or servicing any part of this fixture.
- B. Remove fixture from carton; remove components from hardware kit.
- C. Remove the mounting bracket (4) from the fixture (1).

For 3.5" J-box

- D. Install mounting bracket (4) to junction box (not provided) by tighten two screws(2) to secure it.

For 4" J-box

- D. Install mounting bracket (4) to sheet plate(5) by tighten two screws(6).
- E. Install mounting bracket (4) and sheet plate(5) to junction box (not provided) by tighten two screws(2) to secure them.

**Wiring-all wiring must take place inside junction box (not included).**

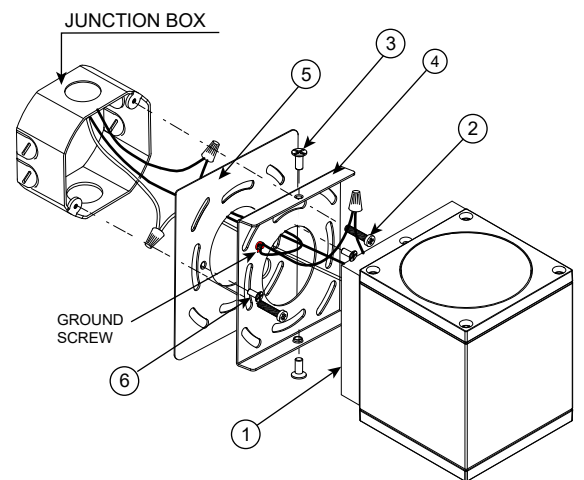
#### Step 2 – Wiring fixture.

- A. Make all wire connections to appropriate wire. Secure with wire nuts (provided).
- B. Connect the bare wire from the fixture and the supply power source ground wire.
- C. Connect the black wire from the fixture to the black (L) wire from supply power source.

#### Step 3 – Mounting.

- A. Install fixture (1) to mounting bracket (4) by tighten two screws (3) on top and bottom to secure it.
- B. After mounting the fixture, caulk the surface between the fixture back and the mounting surface.

#### Step 4 – Restore power at fuse or circuit breaker box.



**Sunshine Lighting Company**

744 Clinton Street Brooklyn, NY 11231, USA

T. 718.768.7000

F. 718.768.0970

www.sunlite.com